

LOCINOX

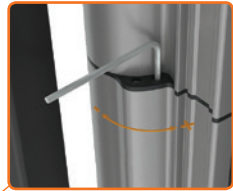
Let's make better fences together

Need to close a gate?
We have the solution!

MAMMOTH-180

Gatesplus Part No. GCHC115

Hydraulic 180° gate closer and hinge in one



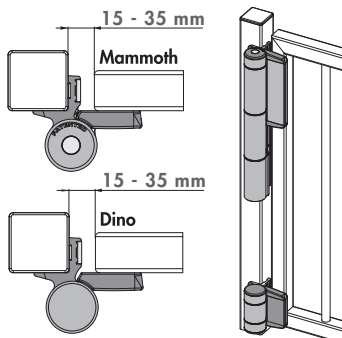
ADJUSTMENT:
FINAL SNAP



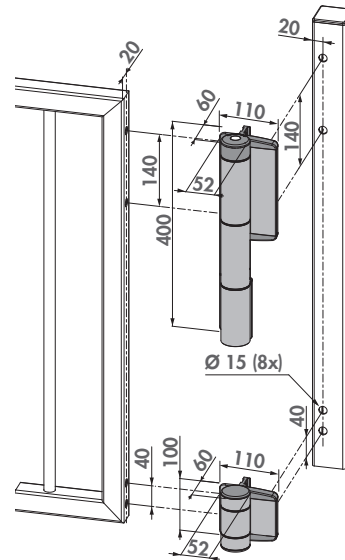
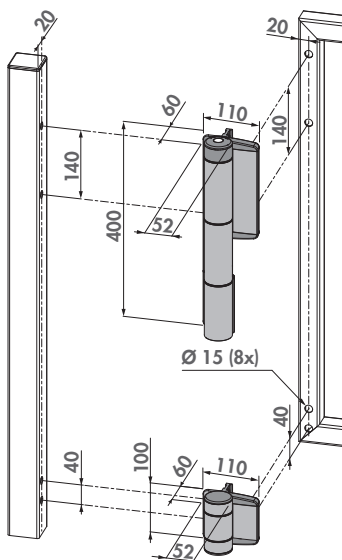
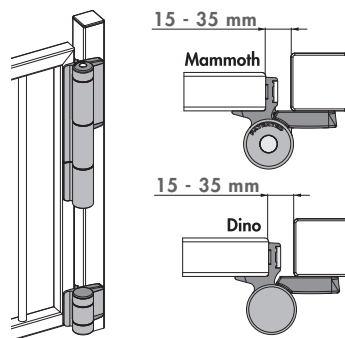
ADJUSTMENT:
CLOSING SPEED



LEFT TURNING



RIGHT TURNING



MAMMOTH-180

An elegantly designed self-closing hinge that opens smoothly and closes consistently gates up to 150 kg and this regardless of the outside temperatures (patented system). Force, closing speed and final snap are all individually adjustable according to your needs. Probably the best self-closing hinge on the market!

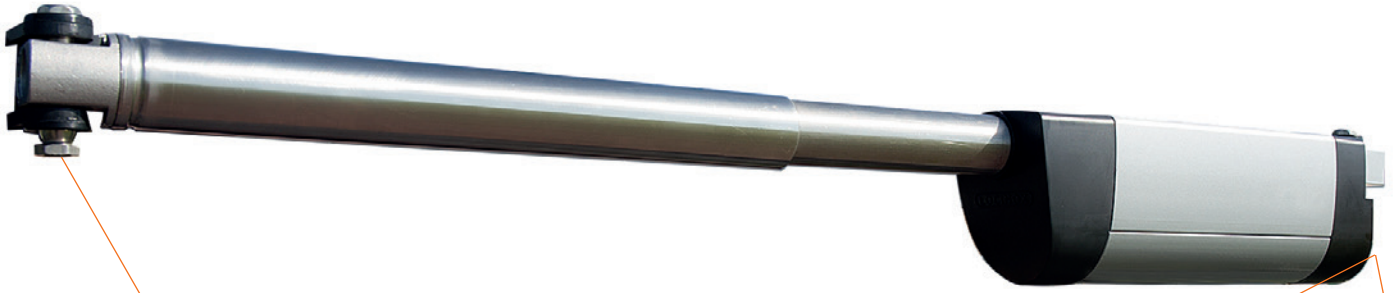
TECHNICAL INFO

- ✓ Opening angle up to 180°
- ✓ Double stainless steel bearing
- ✓ For gates up to 150 kg
- ✓ For gates up to 1,20m wide
- ✓ Adjustable closing speed & closing pressure
- ✓ Easy to open: Max. 15Nm of force
- ✓ Available in black or silver
- ✓ Built to last
- ✓ Dino hinge included
- ✓ Tested at 500.000 movements
- ✓ Tested to -30°C

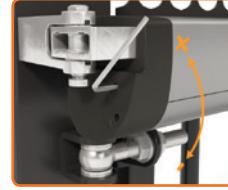
SAMSON-2

Gatesplus Part No. GC030

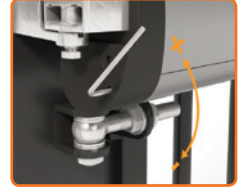
Adjustable, horizontal gate closer



ADJUSTMENT:
CLOSING FORCE



ADJUSTMENT:
FINAL SNAP



ADJUSTMENT:
CLOSING SPEED



3 YEAR
WARRANTY

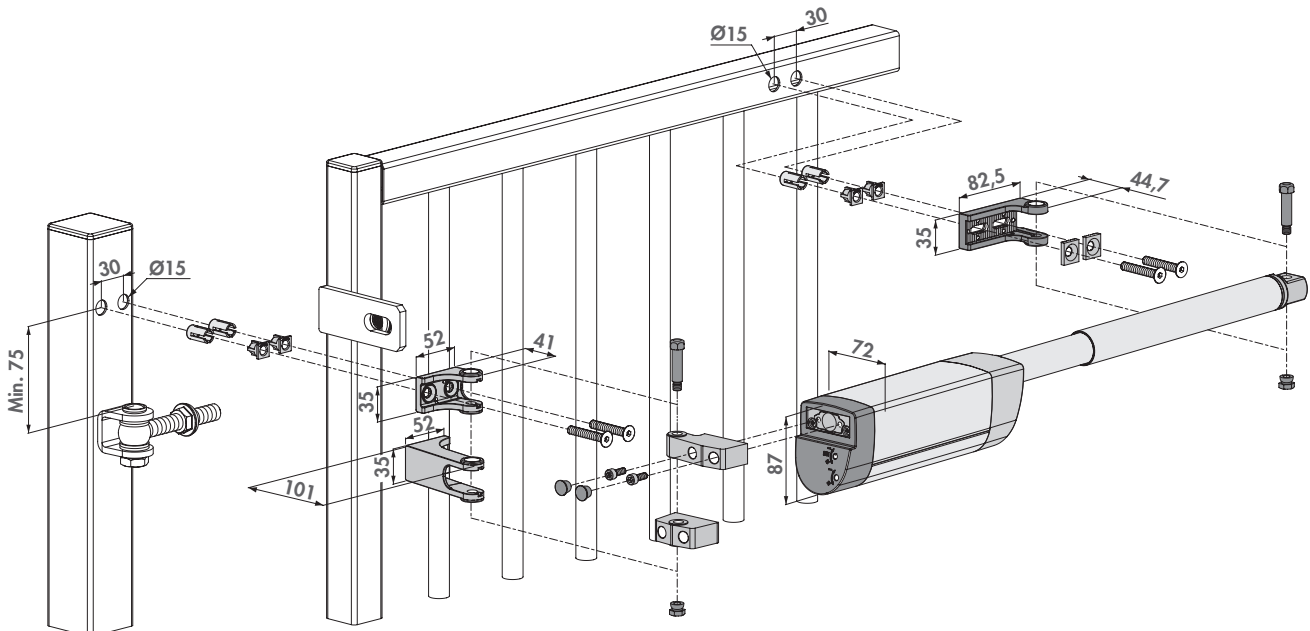


SAMSON-2

The next generation of gate closers. Even easier to install and smoother functioning. The final snap can easily be adjusted after installation by turning the corresponding adjustment screw. The Samson can be posed in almost every situation thanks to the various brackets delivered with the product. Due to the patented damping system, the operation of the gate closer is unaffected by temperature changes.

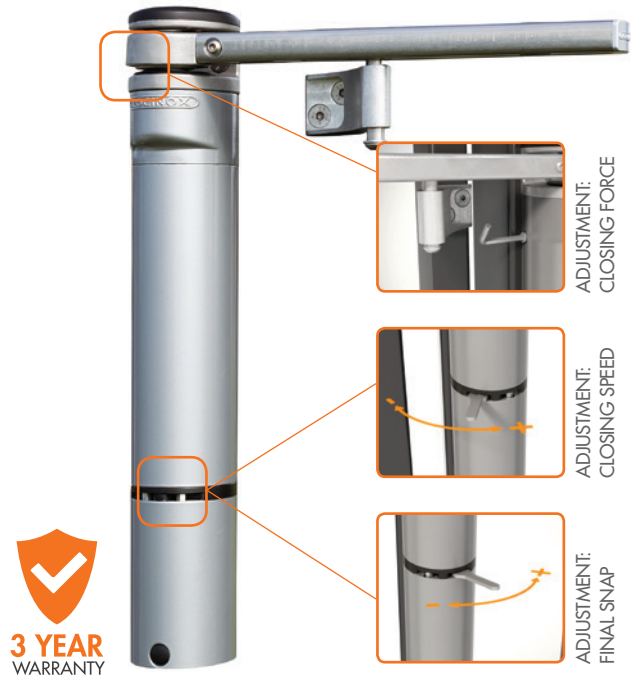
TECHNICAL INFO

- ✓ Opening angle up to 150°
- ✓ Adjustable closing speed & closing pressure
- ✓ Adjustable final snap for a perfect closing
- ✓ Developed for outdoor use
- ✓ Closing speed unaffected by temperature changes
- ✓ Fast and easy fixing: Quick-Fix
- ✓ For left & right turning gates
- ✓ Tested at 500.000 movements
- ✓ Tested to -30° C



VERTICLOSE

Adjustable, vertical gate closer



TECHNICAL INFO

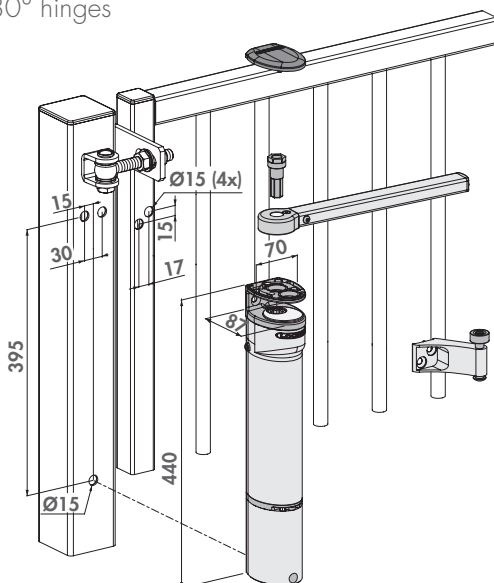
- ✓ Max. opening angle 180°
- ✓ Adjustable closing speed & closing pressure
- ✓ Specially developed for outdoor use
- ✓ Closing speed unaffected by humidity and temperature changes
- ✓ Easy to install: Quick-Fix
- ✓ For left and right turning gates
- ✓ Easy to open
- ✓ Tested at 500.000 movements
- ✓ Tested to -30°C

VERTICLOSE

The Verticlose is an industrial gate closer where force, speed and final snap are adjustable after installation. Developed for outdoor use and thus produced with rustproof materials. Ideal in combination with 180° hinges. Easy and robust installation by means of drilling templates and Quick-Fix. Due to the patented damping system the operation of the gate closer is unaffected by temperature changes.

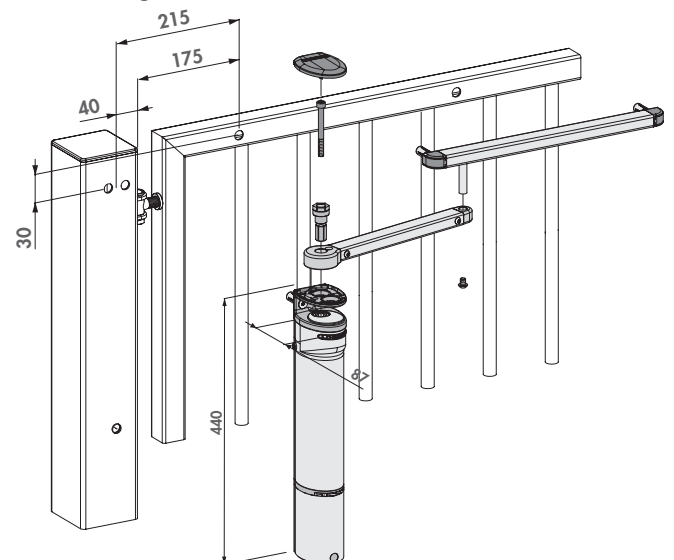
VERTICLOSE-STD Gatesplus Part No. GC020

With 180° hinges



VERTICLOSE-RAIL Gatesplus Part No. GC025

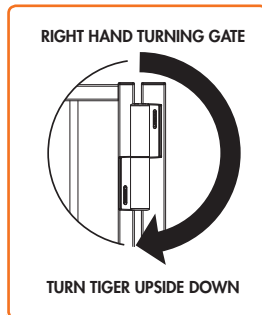
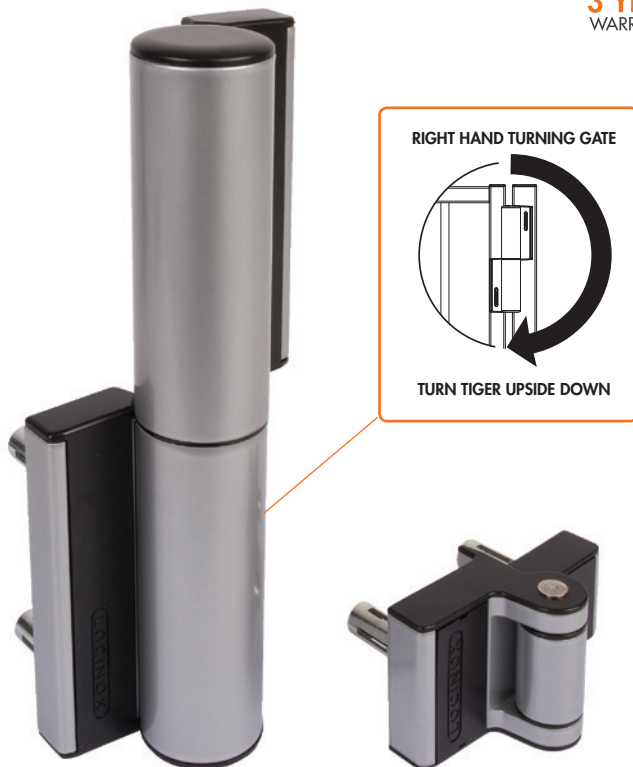
With 90° hinges



TIGER

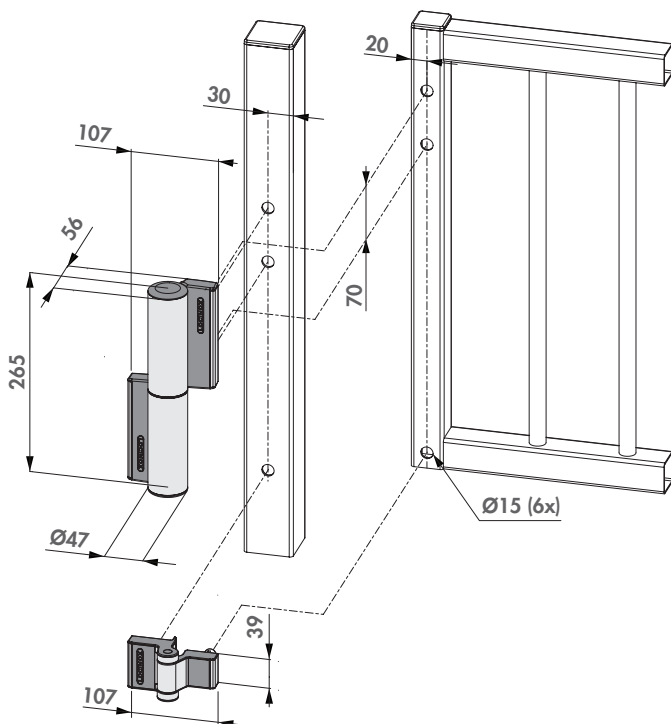
Gatesplus Part No. GCHC115

Compact hinge and gate closer in one



TIGER

Hydraulic, selfclosing, double bearing hinge with an 180° opening angle that easily closes gates up to 75 kg. Closing speed and final snap can be adjusted after installation. Fast and easy fixing with Quick-Fix. Combination with Puma (non-selfclosing) hinge. Conform with Rospa regulations.

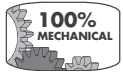


SPECIFICATIONS

- ✓ Automatic 180° closure with adjustable closing speed and final snap
- ✓ Hydraulic damping
- ✓ 180° opening and closing angle
- ✓ Powdercoated aluminium casing
- ✓ Aesthetic design
- ✓ Fast and easy fixing: Quick-Fix
- ✓ Closing speed unaffected by humidity and temperature changes
- ✓ For gates up to 75 kg (max 1,1 m wide)
- ✓ For left and right turning gates
- ✓ 20 mm vertical adjustability
- ✓ 15 mm horizontal adjustability
- ✓ Aluminium powdercoated
- ✓ PUMA hinge included
- ✓ Tested at 500.000 movements
- ✓ Tested to -30°C
- ✓ Conform with Rospa regulations

i GATE CLOSERS

Our gate closers complete our range of high quality fence and gate hardware. Their closing speed remains unaltered during changing weather conditions thanks to the patented, weather independent, hydraulic damping. Closing speed and closing force are both adjustable by means of adjusting screws and a final snap can be set.



100% mechanical



Timesaving



Left/Right reversible



Quick-Fix



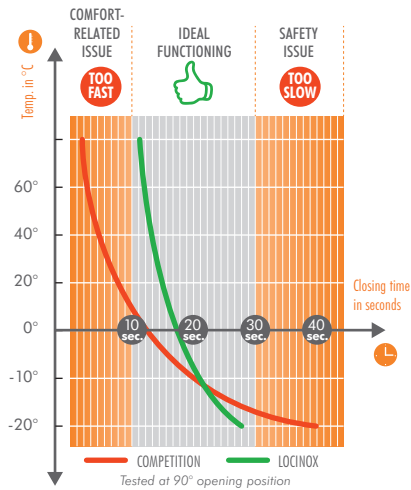
500.000 movements



Weatherproof

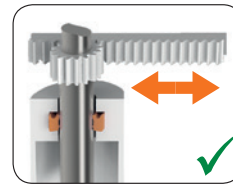
TEMPERATURE COMPENSATION

Stable closing time independent of the temperature

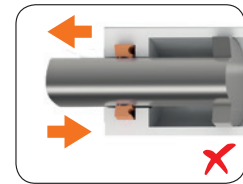


DURABLE

When converting the rotational movement into a linear movement, Locinox always uses a rotary seal. The intrusion of dirt and humidity and loss of oil are impossible.

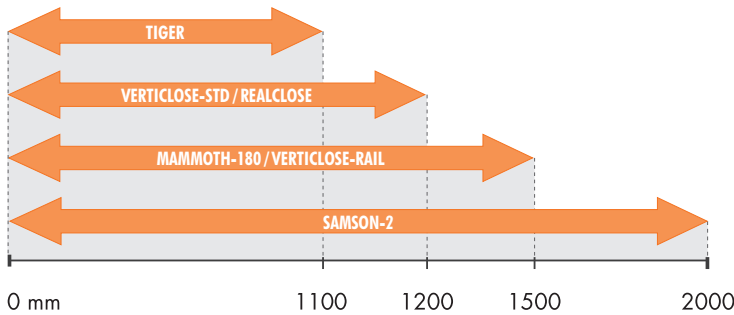


ROTARY SEAL



LINEAR SEAL

APPLICATION BY GATE WIDTH AND WEIGHT



VERTICLOSE-RAIL / MAMMOTH-180 / REALCLOSE / SAMSON

VERTICLOSE-STD

TIGER

PRODUCT CHOICE:

		HINGE		OPENING ANGLE	ADJUSTABILITY			PERFORMANCE	
		90°	180°		Speed	Force	Final Snap	Gate Weight (kg)	Gate Width (mm)
NIEUW	TIGER	INTEGRATED		180°	✓		✓	75	1100
	MAMMOTH-180	INTEGRATED		180°	✓	✓	✓	150	1500
RETROFIT	VERTICLOSE-STD		✓	180°	✓	✓	✓	120	1200
	VERTICLOSE-RAIL	✓		180°	✓	✓	✓	150	1500
	REALCLOSE		✓	180°	✓		✓	150	1200
	SAMSON-2	✓	✓	150°	✓	✓	✓	150	2000